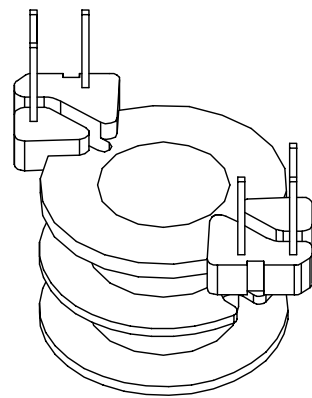
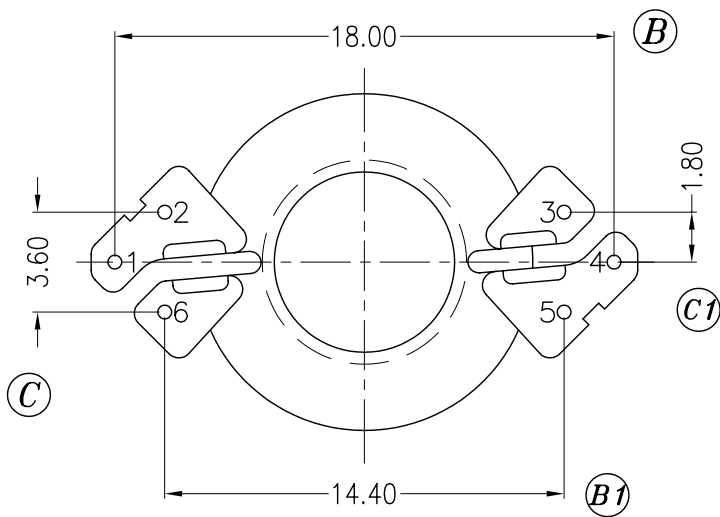
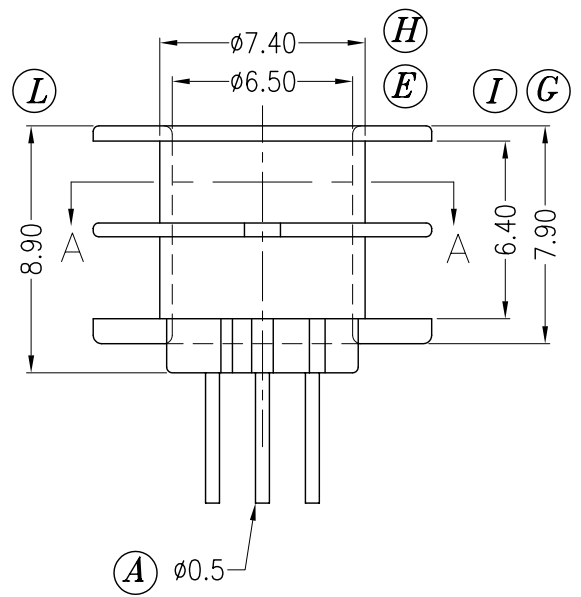
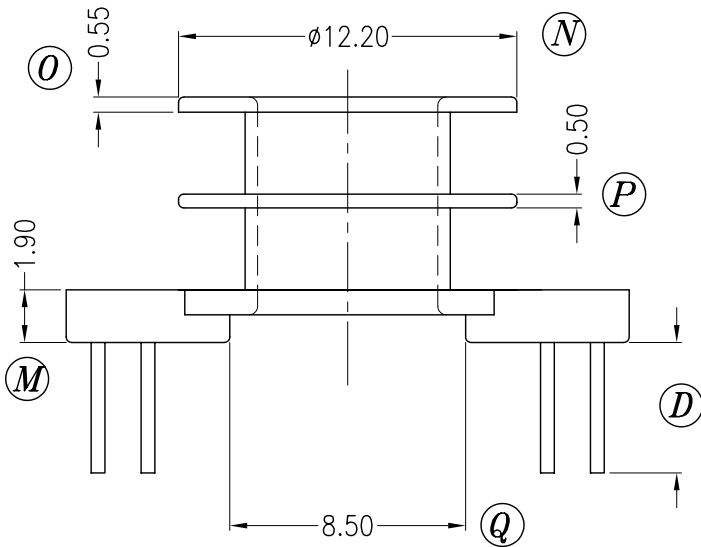


SEC A-A



REV.	REVISIONS REC.	DATE:	REV.	REVISIONS REC.	DATE:
0			2		
1			3		
DRAWN & DRAFTED BY ZHU BAO		TOLERANCES 0<L≤4 ±0.1 4<L≤16 ±0.2 16<L≤63 ±0.3		ANGLE: ±1°	
CHECKED & APPROVED BY FEI LIAO		pin pitch ±0.2		TITLE: BOBBIN RM-6	
		UNIT: MM		BOBBIN MATERIAL: PM-9630	
		SCALE:		UL REC. UL 94V-0	
富翔塑胶电子有限公司 FUXIANG PLASTICS ELECTRONICS CO.,LTD. TEL:086-0769-86332728~9 FAX:086-0769-86309536		DATE: APR 19 2004		PIN MATERIAL: CP WIRE	
		DRAWING NO. FX-601-1		PIN TENSION LOAD: 0.70kg	
		REV. 0			