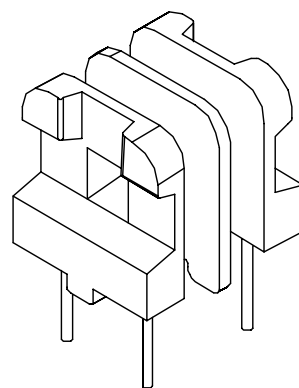
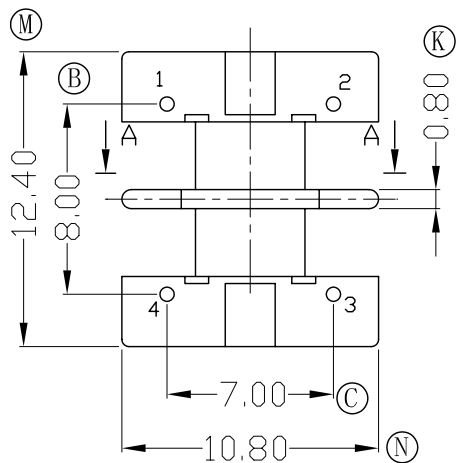
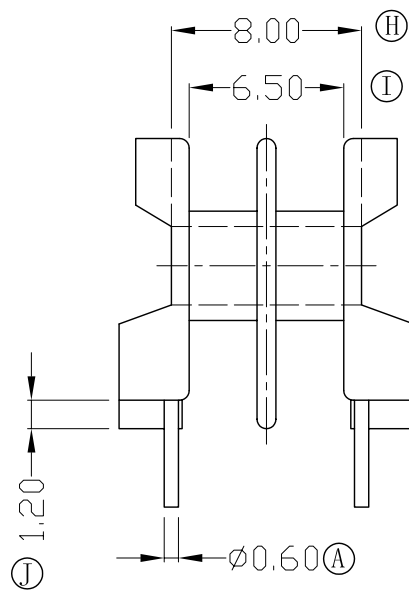
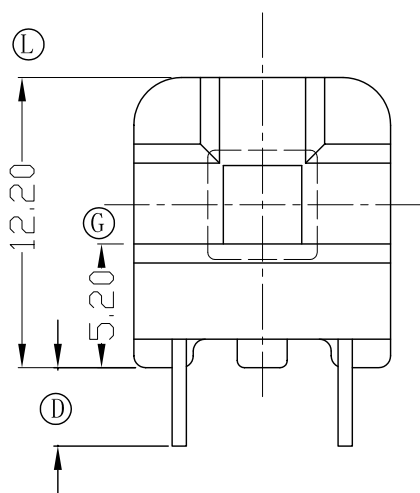


SEC A-A



REV.	REVISIONS REC.		DATE:	REV.	REVISIONS REC.		DATE:
0				2			
1				3			
DRAWN & DRAFTED BY	ZHU BAO	TOLERANCES		ANGLE:	TITLE:		
CHECKED & APPROVED BY	FEI LIAO	0<L≤4 ±0.1	pin pitch ±0.2	UNIT:	UU-9.8(4P)		UL REC. UL 94V-0
		4<L≤16 ±0.2		MM	BOBBIN MATERIAL:	T375J	
		16<L≤63 ±0.3		SCALE:	PIN MATERIAL:	CP WIRE	PIN TENSION LOAD: 1.0kg
富翔塑胶电子有限公司 FUXIANG PLASTICS ELECTRONICS CO.,LTD. TEL:086-0769-86332728~9 FAX:086-0769-86309536				DATE:	DRAWING NO.	REV.	
				APR 29 2003	FX-1005	0	